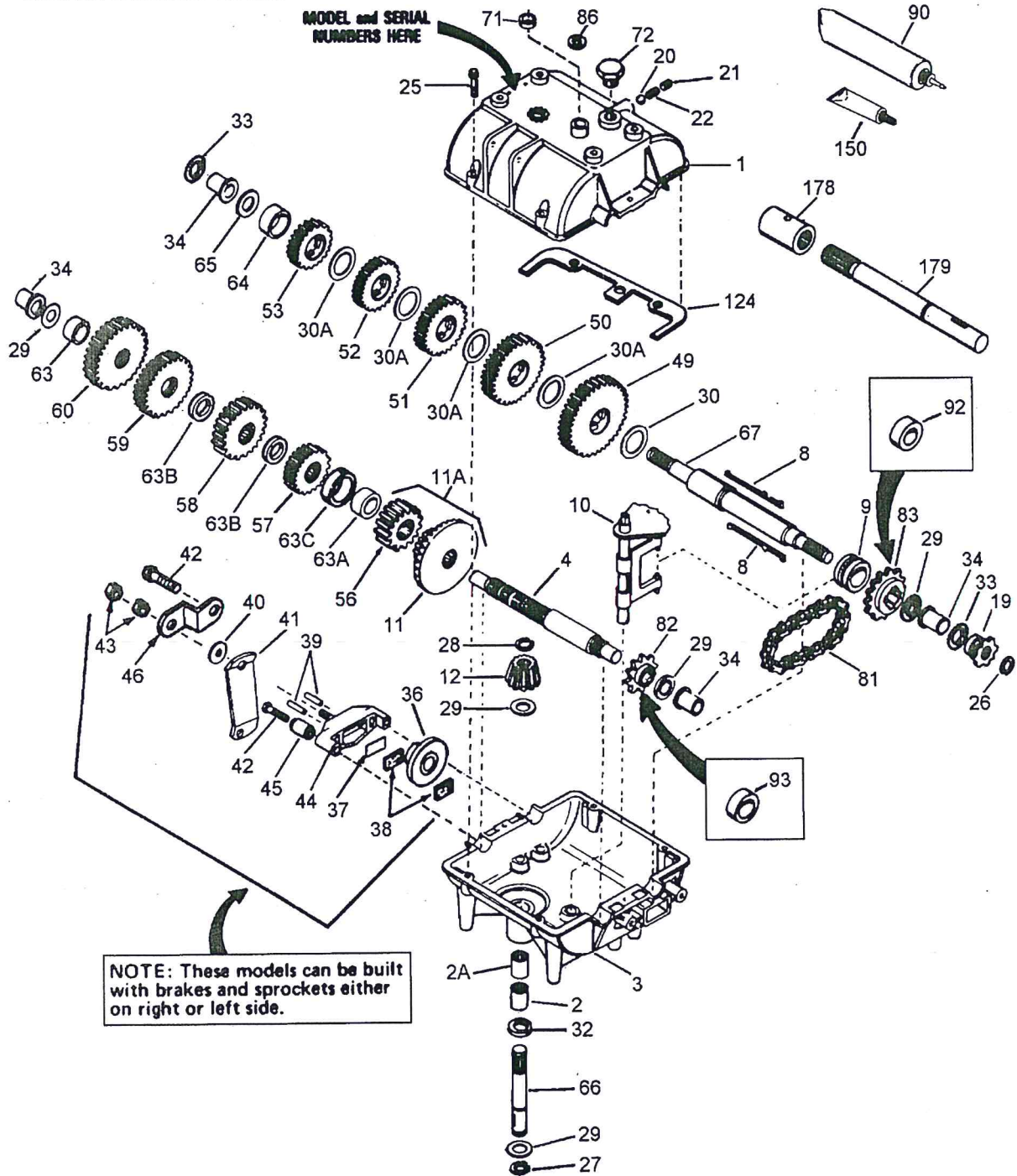


p700.2 700-715A / Transmission

ILLUSTRATION SHOWS TYPICAL PARTS ONLY. ORDER BY PART NUMBER. PARTS NOT LISTED ARE SUPPLIED BY OEM.



## Part List

p700.2 700-715A / Transmission

| REF # | ITEM #  | DESCRIPTION                 | QTY | REMARK   |
|-------|---------|-----------------------------|-----|--|
| 1     | 772070  | Transmission Cover          |     |  |
| 2     | 780086A | Needle Bearing              |     |  |
| 2A    | 780086A | Needle Bearing              |     |  |
| 3     | 770098  | Transmission Case           |     |  |
| 4     | 776134  | Countershaft                |     |  |
| 8     | 792089A | Key                         |     |  |
| 9     | 784266  | Collar                      |     |  |
| 10    | 784267  | Shift Rod & Fork            |     |  |
| 11A   | 778109A | Gear Kit                    |     | (Incl. 778137A & 778136) NOTE: The above bevel gear is now a two-piece assembly. When this two-piece assembly is used, the countershaft may also need replacing. Order a new 776134 countershaft (Ref. No. 4) which has five (5) splined areas to accommodate the gear assembly. |
| 12    | 778113A | Input Bevel Pinion          |     |  |
| 19    | 786047  | Sprocket (8 teeth)          |     |  |
| 20    | 792077A | Steel Ball, 5/16"           |     |  |
| 21    | 792078  | Set Screw, 3/8-16 x 3/8"    |     |  |
| 22    | 792079  | Spring                      |     |  |
| 25    | 792073A | Screw, 1/4-20 x 1-1/4"      |     |  |
| 26    | 792072  | Retaining Ring              |     |  |
| 27    | 792035  | Retaining Ring              |     |  |
| 28    | 788040  | Retaining Ring              |     |  |
| 29    | 780072  | Thrust Race                 |     |  |
| 30    | 780108  | Thrust Washer (1/16" thick) |     |  |
| 30A   | 780108  | Thrust Washer (1/16" thick) |     |  |
| 32    | 792001  | "O" Ring                    |     |  |
| 34    | 780105A | Flange Bushing              |     |  |
| 49    | 778125  | Spur Gear (35 teeth)        |     |  |
| 50    | 778124A | Spur Gear (30 teeth)        |     |  |
| 51    | 778123A | Spur Gear (25 teeth)        |     |  |
| 52    | 778122A | Spur Gear (22 teeth)        |     |  |
| 53    | 778121A | Spur Gear (20 teeth)        |     |  |
| 56    | 778136  | Spur Gear                   |     | (15 teeth) NOTE: Gear 778136 was used as a spacer on the following: Models 704,A,B, 716, 719,A,B, 743, 766,A, 785,A, 799   |
| 57    | 778126A | Spur Gear (20 teeth)        |     |  |
| 58    | 778127A | Spur Gear (25 teeth)        |     |  |
| 59    | 778128A | Spur Gear (28 teeth)        |     |  |
| 60    | 778129A | Spur Gear (30 teeth)        |     |  |
| 65    | 780109  | Washer                      |     |  |
| 66    | 776135  | Input Shaft (3-11/16" long) |     |  |
| 67    | 776238  | Output & Brake Shaft        |     | (7-27/32" long) (Shaft has four keyways and replaces shafts with two keyways. Use four keys.)  |

|     |         |                                       |                                |
|-----|---------|---------------------------------------|--------------------------------|
| 71  | 788069  | Square Cut Seal                       |                                |
| 72  | 792074  | Threaded Plug                         |                                |
| 81  | 786081  | Roller Chain (No. 41 chain, 24 links) |                                |
| 82  | 786082  | Sprocket (9 teeth)                    |                                |
| 83  | 786083  | Sprocket (18 teeth)                   |                                |
| 86  | 792083  | Washer (Use as required)              |                                |
| 90  | 788067B | Grease                                | 32 oz. bottle Bentonite grease |
| 150 | 510334  | Gasket Eliminator (Loctite No. 515)   |                                |