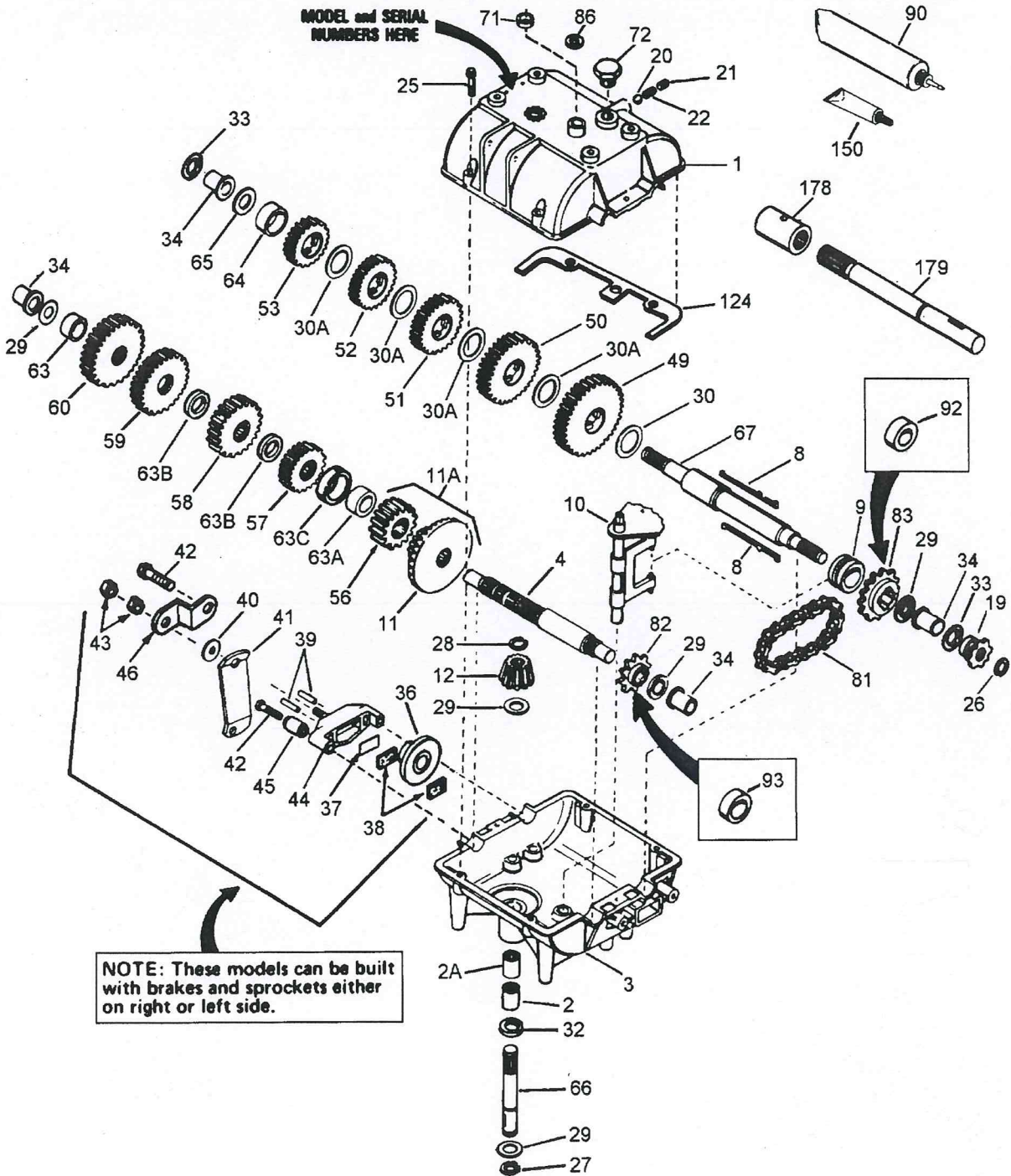


p700.2 700-751 / Transmission

ILLUSTRATION SHOWS TYPICAL PARTS ONLY. ORDER BY PART NUMBER. PARTS NOT LISTED ARE SUPPLIED BY OEM.



## Part List

p700.2 700-751 / Transmission

REF #	ITEM #	DESCRIPTION	QTY	REMARK
1	772083A	Transmission Cover		
2	780086A	Needle Bearing		
2A	780086A	Needle Bearing		
3	770061A	Transmission Case		
4	776134	Countershaft		
8	792089A	Key		
9	784266	Collar		
10	784267	Shift Rod & Fork		
11A	778109A	Gear Kit		(Incl. 778137A & 778136) NOTE: The above bevel gear is now a two-piece assembly. When this two-piece assembly is used, the countershaft may also need replacing. Order a new 776134 countershaft (Ref. No. 4) which has five (5) splined areas to accommodate the gear assembly.
12	778113A	Input Bevel Pinion		
20	792077A	Steel Ball, 5/16"		
21	792078	Set Screw, 3/8-16 x 3/8"		
22	792079	Spring		
25	792073A	Screw, 1/4-20 x 1-1/4"		
27	792035	Retaining Ring		
28	788040	Retaining Ring		
29	780072	Thrust Race		
30	780108	Thrust Washer (1/16" thick)		
30A	780108	Thrust Washer (1/16" thick)		
32	792001	"O" Ring		
34	780105A	Flange Bushing		
49	778125	Spur Gear (35 teeth)		
50	778124A	Spur Gear (30 teeth)		
51	778123A	Spur Gear (25 teeth)		
52	778122A	Spur Gear (22 teeth)		
53	778121A	Spur Gear (20 teeth)		
56	778136	Spur Gear		(15 teeth) NOTE: Gear 778136 was used as a spacer on the following: Models 704,A,B, 716, 719,A,B, 743, 766,A, 785,A, 799
57	778126A	Spur Gear (20 teeth)		
58	778127A	Spur Gear (25 teeth)		
59	778128A	Spur Gear (28 teeth)		
60	778129A	Spur Gear (30 teeth)		
65	780109	Washer		
66	776135	Input Shaft (3-11/16" long)		
67	776238	Output & Brake Shaft		(7-27/32" long) (Shaft has four keyways and replaces shafts with two keyways. Use four keys.)
72	792074	Threaded Plug		
81	786081	Roller Chain (No. 41 chain, 24 links)		

82	786082	Sprocket (9 teeth)	
83	786083	Sprocket (18 teeth)	
86	792083	Washer (Use as required)	
90	788067B	Grease	32 oz. bottle Bentonite greas e
150	510334	Gasket Eliminator (Loctite No. 515)	